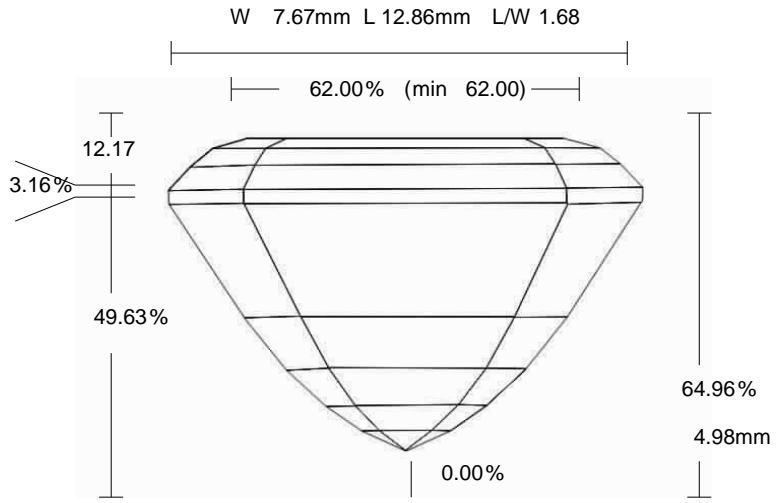


-

**Stone No** 73823  
**Shape** EMERALD  
**Real Weight** 5.15 ( Ct )  
**Width** 7.67 ( mm )  
**Length** 12.86 ( mm )  
**Total Height** 64.96 (%) 4.980(mm)  
**Table** 62.00 (%) 4.730(mm)  
**L/W Ratio** 1.68



Parameter		Avg	Min	Max	Dev
<b>Crown Angle 1</b>	%	28.14	27.99	28.29	0.30
<b>Crown Height</b>	%	12.17	11.85	12.48	0.63
<b>Girdle Thickness</b>	%	3.16	2.84	3.39	0.55
<b>Pavilion Angle 1 (Main)</b>	%	59.07	58.90	59.23	0.33
<b>Pavilion Height</b>	%	49.63	49.50	49.72	0.22