

-

Stone No 72076

Shape EMERALD

Real Weight 12.25 (Ct)

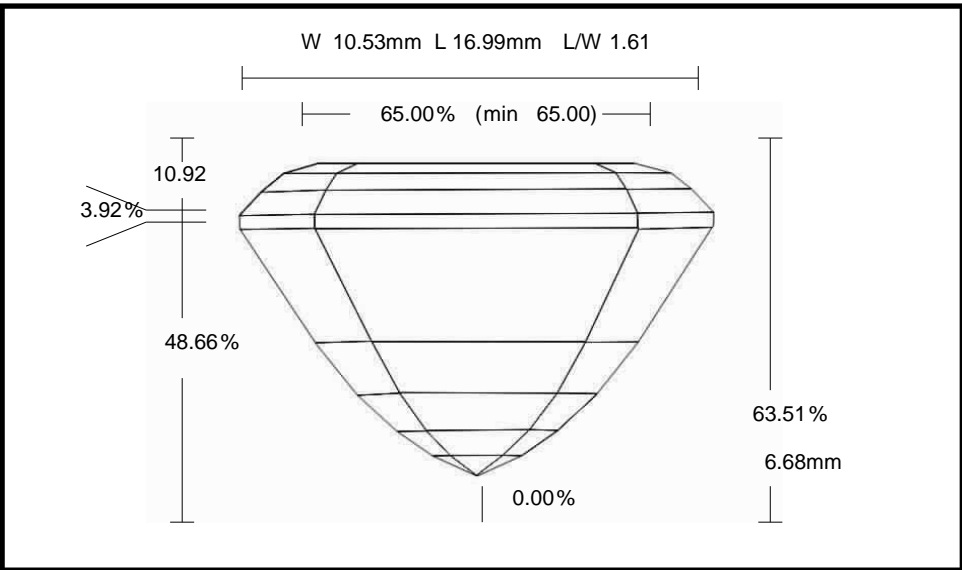
Width 10.53 (mm)

Length 16.99 (mm)

Total Height 63.51 (%) 6.680(mm)

Table 65.00 (%) 6.800(mm)

L/W Ratio 1.61



| Parameter | | Avg | Min | Max | Dev |
|--------------------------------|---|-------|-------|-------|------|
| Crown Angle 1 | % | 19.15 | 18.61 | 19.69 | 1.08 |
| Crown Height | % | 10.92 | 10.67 | 11.21 | 0.54 |
| Girdle Thickness | % | 3.92 | 3.65 | 4.19 | 0.54 |
| Pavilion Angle 1 (Main) | % | 57.89 | 57.86 | 57.91 | 0.05 |
| Pavilion Height | % | 48.66 | 48.37 | 49.01 | 0.64 |