

-

Stone No 71945

Shape EMERALD

Real Weight 12.02 (Ct)

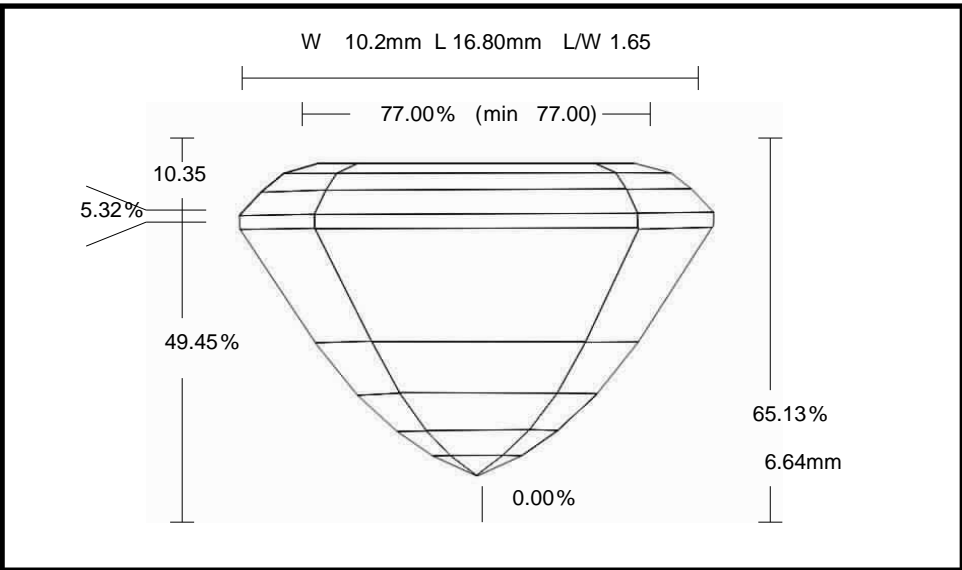
Width 10.20 (mm)

Length 16.80 (mm)

Total Height 65.13 (%) 6.640(mm)

Table 77.00 (%) 7.900(mm)

L/W Ratio 1.65



Parameter		Avg	Min	Max	Dev
Crown Angle 1	%				0.00
Crown Height	%	10.35	10.16	10.52	0.36
Girdle Thickness	%	5.32	4.94	6.01	1.07
Pavilion Angle 1 (Main)	%	58.09	58.02	58.15	0.13
Pavilion Height	%	49.45	48.87	49.72	0.85