

-

Stone No 71621

Shape EMERALD

Real Weight 11.72 (Ct)

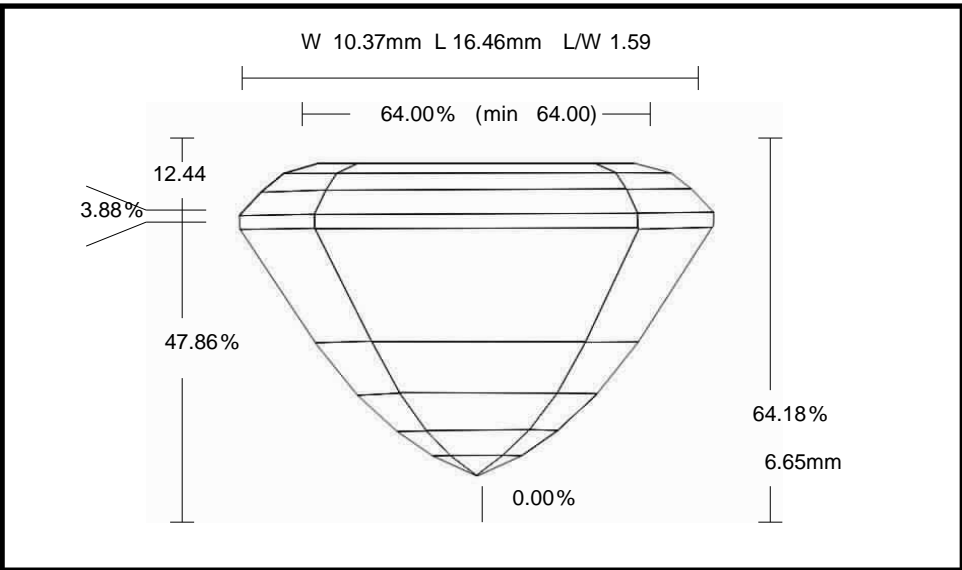
Width 10.37 (mm)

Length 16.46 (mm)

Total Height 64.18 (%) 6.650(mm)

Table 64.00 (%) 6.660(mm)

L/W Ratio 1.59



Parameter		Avg	Min	Max	Dev
Crown Angle 1	%	20.70	20.56	20.84	0.28
Crown Height	%	12.44	12.28	12.63	0.35
Girdle Thickness	%	3.88	3.72	4.14	0.42
Pavilion Angle 1 (Main)	%	58.86	58.81	58.91	0.10
Pavilion Height	%	47.86	47.65	48.18	0.53